



SMA Male Right Angle Precision Connector Solder Attachment
 For PE-SR402AL, PE-SR402FL, PE-SR402FLJ, RG402

TECHNICAL DATA SHEET

PE44693

SMA Male Right Angle Precision Connector Solder Attachment For PE-SR402AL, PE-SR402FL, PE-SR402FLJ, RG402

Configuration

Connector	SMA Male
Connector Interface Type	PE-SR402AL, PE-SR402FL, PE-SR402FLJ, RG402
Cable Attachment Method (Shield/Contact)	Solder/Solder
Connector Design	Precision
Body Style	Right Angle

Electrical Specifications

Frequency Range, GHz	DC to 10
Impedance, Ohms	50

Mechanical Specifications

Size

Length, in [mm]	0.598 [15.19]
Width/Dia., in [mm]	0.315 [8.00]
Height, in [mm]	0.453 [11.51]

Connector

Type	SMA Male
Contact Material and Plating	Brass, Gold
Coupling Nut Material and Plating	Passivated Stainless Steel
Hex Size, in.	5/16
Torque, in-lbs [Nm]	8 [0.9]
Body Material and Plating	Brass, Gold
Dielectric Type	PTFE

Compliance Certifications (visit www.Pasternack.com for current document)

RoHS Compliant	Yes
----------------	-----

Click the following link (or enter part number in "SEARCH" on website) to obtain additional part information including price, inventory and certifications: [SMA Male Right Angle Precision Connector Solder Attachment For PE-SR402AL, PE-SR-402FL, PE-SR402FLJ, RG402 PE44693](#)

The information contained in this document is accurate to the best of our knowledge and representative of the part described herein. It may be necessary to make modifications to the part and/or the documentation of the part, in order to implement improvements. Pasternack reserves the right to make such changes as required. Unless otherwise stated, all specifications are nominal.





SMA Male Right Angle Precision Connector Solder Attachment
For PE-SR402AL, PE-SR402FL, PE-SR402FLJ, RG402

TECHNICAL DATA SHEET

PE44693

Plotted and Other Data

Notes:

Values at 25 °C, sea level

SMA Male Right Angle Precision Connector Solder Attachment For PE-SR402AL, PE-SR402FL, PE-SR402FLJ, RG402 from Pasternack Enterprises has same day shipment for domestic and International orders. Our RF, microwave and fiber optic products maintain a 99% availability and are part of the broadest selection in the industry.

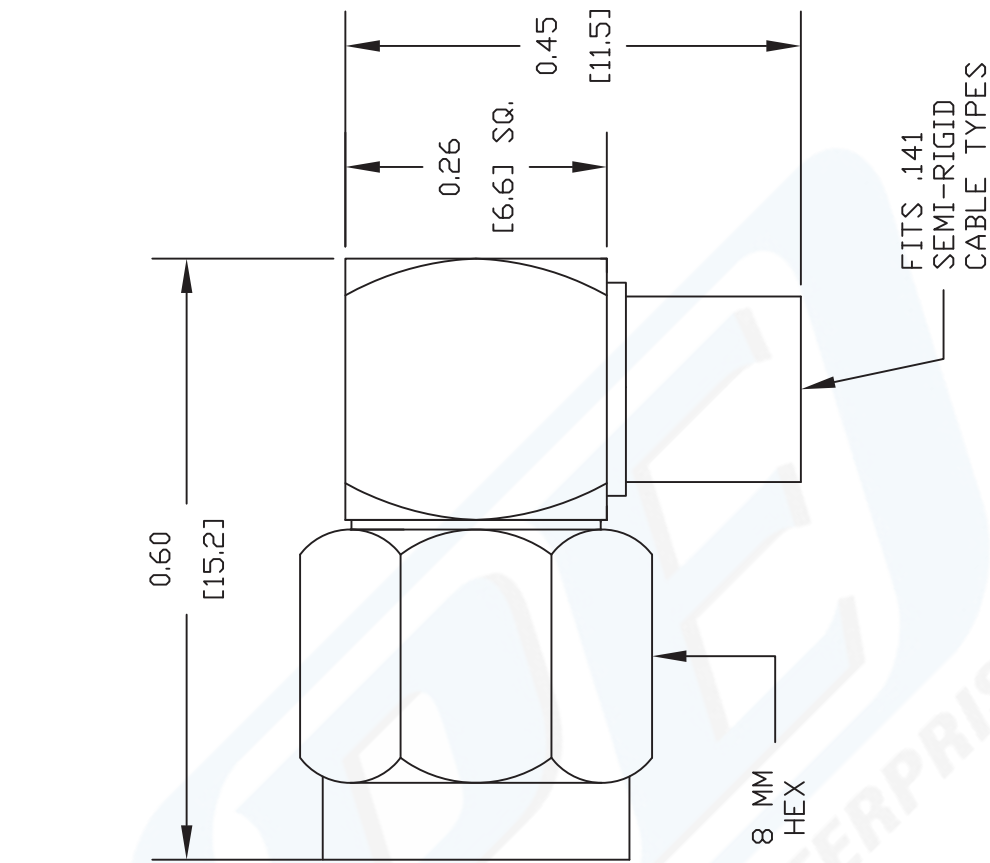
Click the following link (or enter part number in "SEARCH" on website) to obtain additional part information including price, inventory and certifications: [SMA Male Right Angle Precision Connector Solder Attachment For PE-SR402AL, PE-SR402FL, PE-SR402FLJ, RG402 PE44693](http://www.pasternack.com/sma-male-standard-pe-sr402al-pe-sr402fl-pe-sr402flj-connector-pe44693-p.aspx)

URL: <http://www.pasternack.com/sma-male-standard-pe-sr402al-pe-sr402fl-pe-sr402flj-connector-pe44693-p.aspx>

The information contained in this document is accurate to the best of our knowledge and representative of the part described herein. It may be necessary to make modifications to the part and/or the documentation of the part, in order to implement improvements. Pasternack reserves the right to make such changes as required. Unless otherwise stated, all specifications are nominal.

PE44693 CAD Drawing

SMA Male Right Angle Precision Connector Solder Attachment
For PE-SR402AL, PE-SR402FL, PE-SR402FLJ, RG402



STRIPPING DIMENSIONS

ASSEMBLY PROCEDURES

1. STRIP CABLE AS SHOWN & TIN CENTER CONDUCTOR.
2. INSERT CABLE INTO BODY UNTIL OUTER CONDUCTOR BOTTOMS OUT. THE CENTER CONDUCTOR WILL PROTRUDE INTO CONTACT SLOT.
3. SOLDER CENTER CONDUCTOR INTO SLOT AND OUTER CONDUCTOR TO BODY. PRESS CAP INTO CONNECTOR BODY.

DWG TITLE

PE44693

- NOTES:
1. UNLESS OTHERWISE SPECIFIED ALL DIMENSIONS ARE NOMINAL.
 2. ALL SPECIFICATIONS ARE SUBJECT TO CHANGE WITHOUT NOTICE AT ANY TIME.
 3. DIMENSIONS ARE IN INCHES [mm].
 4. FITS MIL-C-17 AND EQUIVALENT CABLES.

REV. -

FSCM NO. 53919

CAD FILE 062111

SCALE N/A

SIZE A

2231

PASTERNAK ENTERPRISES, INC.

P.O. BOX 16759, IRVINE, CA 92623

PHONE (949) 261-1920 FAX (949) 261-7451

WEB ADDRESS: www.pasternack.com

E-MAIL ADDRESS: sales@pasternack.com

COAXIAL & FIBER OPTICS



PASTERNAK ENTERPRISES®
ESTABLISHED 1972